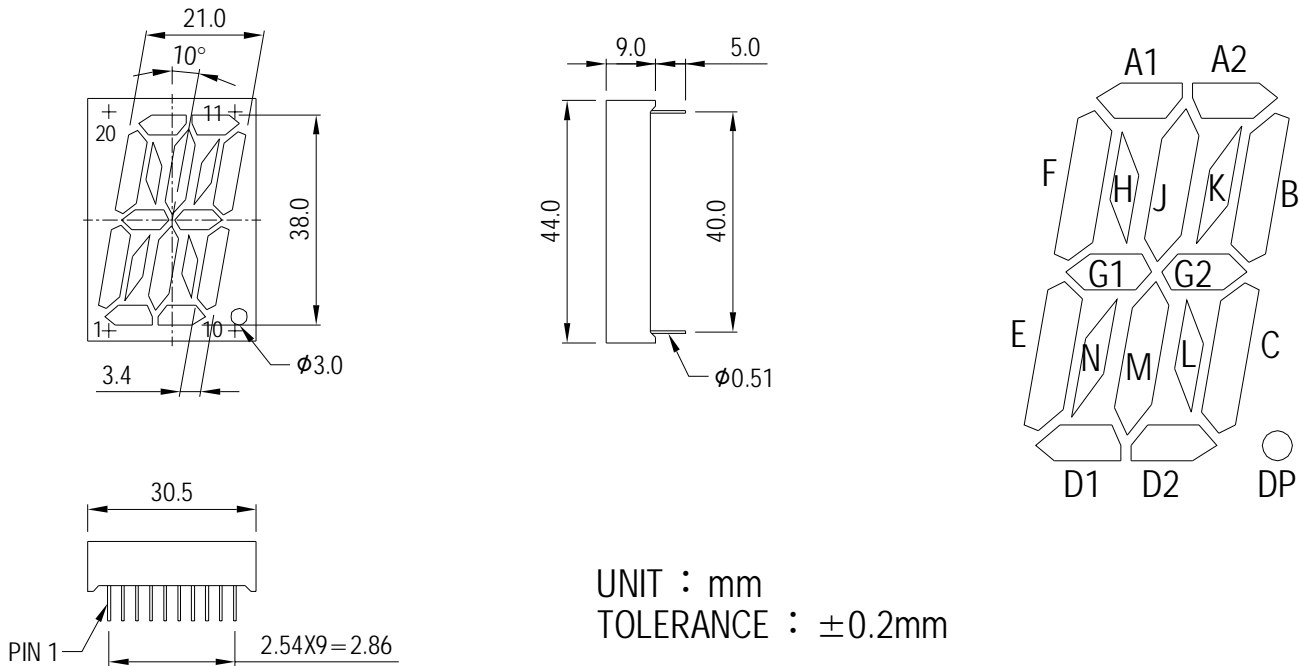


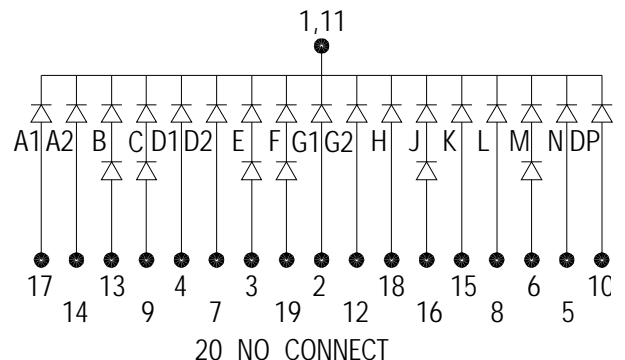
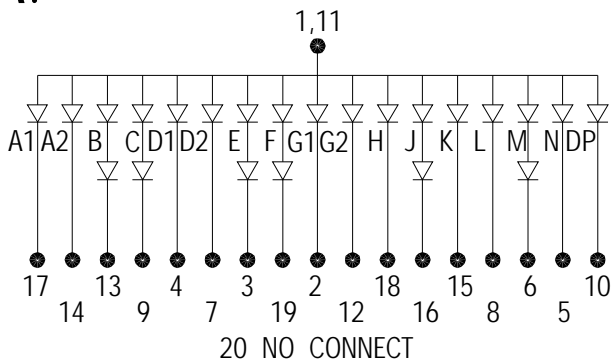
JOINSCAN LEDs

S1.5K 1.5 INCH (38.0mm) SINGLE DIGIT ALPHANUMERIC DISPLAY 44.0 X 30.5 X 9.0mm



A. A151K SERIES

B. C151K SERIES



PIN FUNCTION	COMMON ANODE			COMMON CATHODE			WAVE LENGTH (nm)	IR MAX (uA) VR=5V	VF (V) IF=20mA	LUMINOUS INTENSITY IF=20mA
	A	C	E	B	D	F				
Emitting COLOR	model no.	model no.	model no.	model no.	model no.	model no.				
GaP RED	A151KH			C151KH			695	100	2.2	0.6mcd
GaAsP ORANGE RED	A151KO			C151KO			635	100	2.0	4.0mcd
GaP GREEN	A151KG			C151KG			570	100	2.2	4.5mcd
Gap Yellow	A151KY			C151KY			600	100	2.2	4.0mcd
GaAlAs SUPER RED	A151KRS			C151KRS			650	100	1.8	8.0mcd
GaAlAs ULTRA RED										
GaAlAs YELLOW GREEN										
Sic BLUE	A151KSF			C151KSF			465±5	100	7.2	25mcd
ZnSe WHITE										

Model No. -BW BLACK SURFACE WHITE SEGMENT
-BR BLACK SURFACE RED SEGMENT
-GW GRAY SURFACE WHITE SEGMENT

Remark :

1. Typical forward current 10~20mA , MAXimum forward current 25mA
2. Solder Temperature 1.6mm Below Seating plane less 5 seconds at 260°C +5°C -30°C
3. Peak Forward current Per Dice , Duty cycle 1/10 , 10KHZ , MAXimum 120mA
4. Operating Temperature From -25°C to 85°C
5. RoHS COMPLIANT

REV : C